

# GLASS IS LIFE™

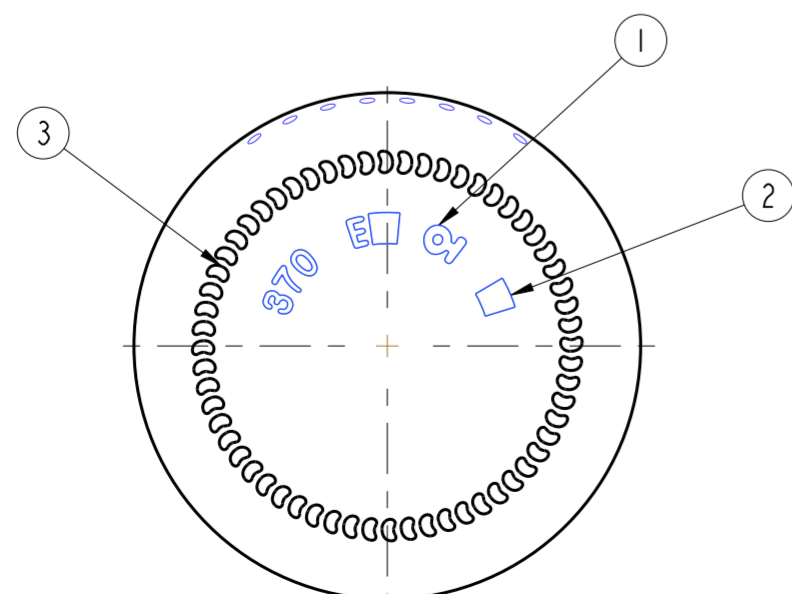
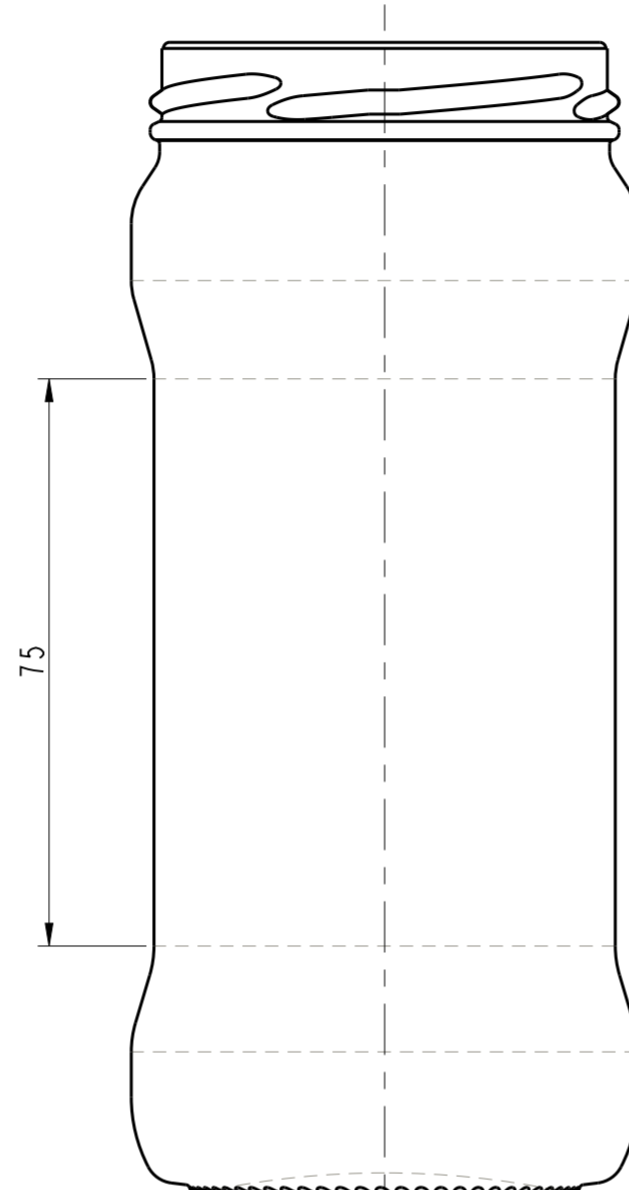
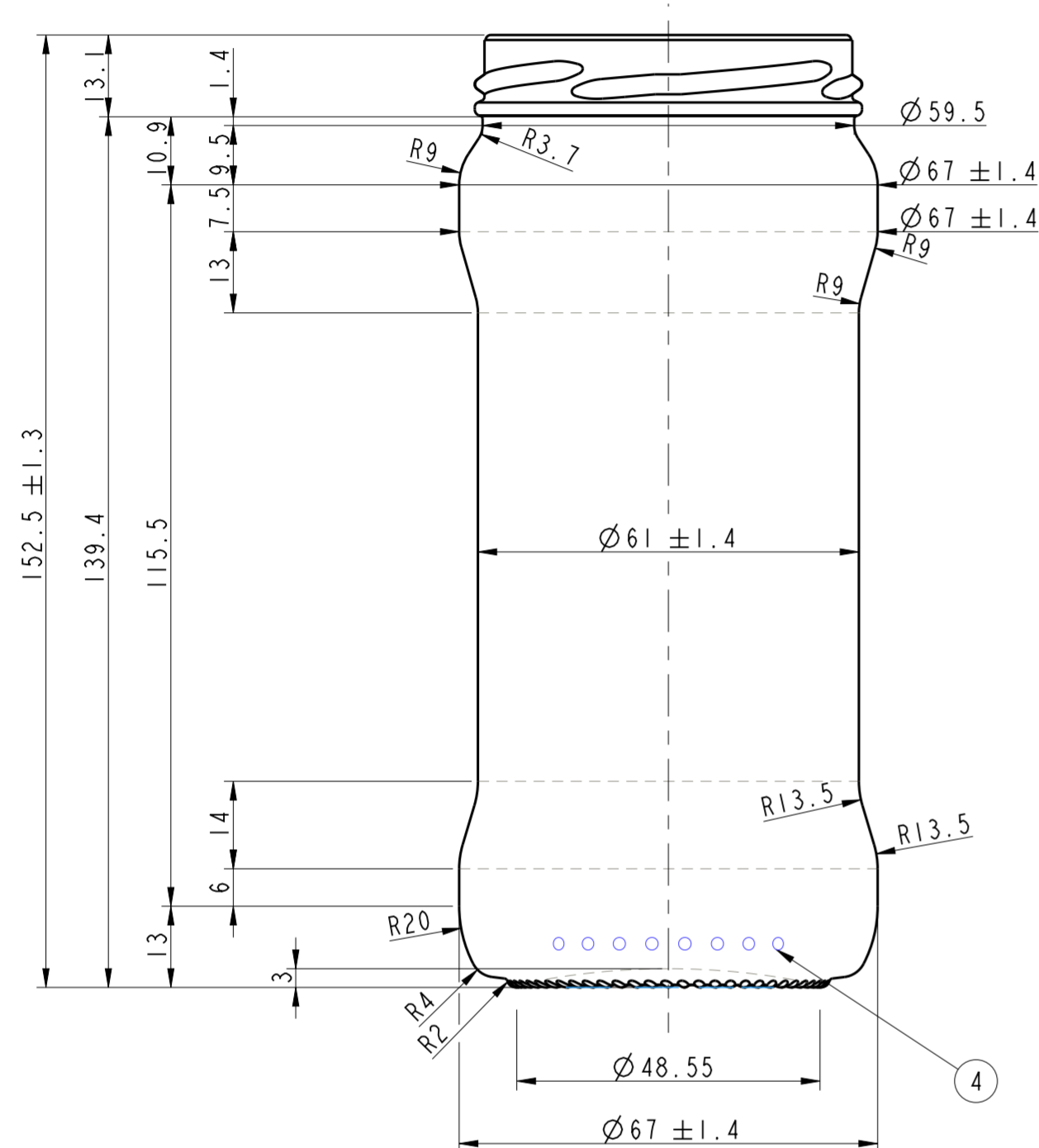
makers of pure, sustainable,  
brand-building glass packaging

O-I Sales & Distribution Poland LLC

ul. Morawska 1  
37-500 Jaroslaw, Poland  
Tel. +48 166249200

CONTAINER & MOULD ENGINEERING

## EUROPE



1 = TRADEMARK  
2 = CAVITY No.  
3 = STIPPLING  
THE SHAPE OF STIPPLES IS ONLY AN INDICATION AND THE CONSTRUCTION IS AT THE PRODUCTION PLANT DISCRETION.  
4 = CAVITY CODE

SCALE 1:1

NOTES:  
THIS DRAWING IS THE PROPERTY OF O-I AND MUST NOT BE REPRODUCED OR DISCLOSED WITHOUT O-I WRITTEN AUTHORIZATION.

ONLY TOLERANCED DIMENSIONS ARE GUARANTEED.

MANUFACTURING MARKINGS SHOWN ARE FOR ILLUSTRATIVE PURPOSES ONLY, ACTUAL MARKINGS ON CONTAINER MAY DIFFER, DEPENDANT ON LOCAL LEGISLATION.

CATEGORY FOOD		TILT ANGLE 18.21°	
MAX. VERTICALITY TOLERANCE		MEASURING CONTAINER NO	
FINISH SAP NUMBER 0652		FINISH REF. SPECIAL	
MINIMUM THROUGH BORE		MAX FILLING TUBE Ø	
CONTAINER OVERFLOW CAPACITY (BRIMFUL)			
370ml ± 5ml			
CONTAINER RATED CAPACITY (FILLPOINT)			
-			
CONTAINER WEIGHT			
220g APPROX.			
FINISH DESIGNATION PL_63_SPECIAL_H131_0652		MAX GAS VOLUME	
PROCESS PB	RETURNABLE NO	DESIGN REF. Eu9121/0004	

### STANDARD TO-370/63

DESIGNER	NP	DATE	29/07/14
CHECKED	WS	DATE	29/07/14
DRAWING NUMBER 140663		MOULD/SAP NUMBER 140663	

No	DATE	REVISIONS	DESIGN/CHECK
	29.07.2014	APPROVED VERSION 01	NP/WS